



I-Feeder Technologies (UK) Ltd

Subject: Mixer information

Just a few notes concerning the mixers:

It is important that the motors turn in the direction as indicated by the arrow on the motor cover. Standing in front of the motor it thus needs to turn anti-clockwise, or from left to right (shaft pointing down.) Looking into the tank, the impellor needs to turn clockwise.

When mounting the impellers, the round, higher part of the fin should be the leading edge, to ensure a downward pressure on the liquid in the tank. Should the impellor be placed on a flat surface the bottom of the impellor should rest on its fins.

Position of mounting in the tank is as follows. Measure the outside diameter of the tank and divide it by five. That is then the distance the mixer should be mounted from the centre of the tank.

It is also very important that the mixers do not run dry in the tank. There should always be fluid in the tank. Even with initial start-up there needs to be fluid in the tank.

Should you need any more information, please feel free to contact us

Regards

Goeie dag .

Dankie vir u aankoop van ons I-Feeder roerders. Net 'n paar punte rakende die roerders.

Dit is belangrik dat die roerders nie droogloop in die tenk nie. Selfs wanneer motor aanvanklik aangeskakel word moet daar vloeistof in die tenk wees.

Die formule vir die opstelling van die roerders op die tenk is dan die buitemaat van die tenk, gedeel deur 5. Dit is dan die afstand vanaf die middel van die tenk waar die roerder opgestel moet word. Dit is belangrik dat die roerder loodreg in die tenk inloop, nie teen 'n hoek nie.

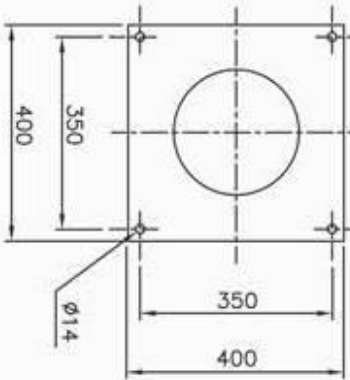
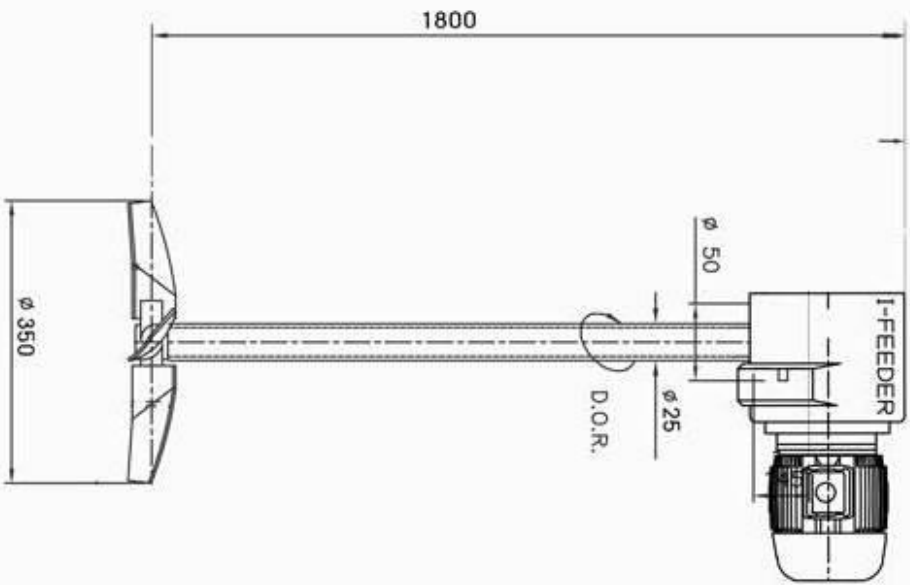
Die motor moet anti-kloksgewys roteer. Wanneer die roerder dus in die tenk gemonteer is, moet dit van regs na links roteer. Die twee drade wat by die terminaalboks ingebring word kan omgedraai word om te verseker dat die impellor kloksgewys roteer. Die motor draai in teenoorgestelde rigting as die impellor.

Dit is belangrik dat die impellor so gemonteer word dat die hoër/ konvekse gedeelte in die rigting van rotering wys .

Die roerder moet nie direk op die tenk vasgeboud word nie, maar op 'n raam bo-oor tenk.

Sou u enige verdere navrae hê voel asseblief vry om my te skakel.

Groetnis



NOT - SUPPLIED :

RECOMMENDED BASEPLATE DETAIL:



NO BAFFLE ARRANGEMENT REQUIRED

MIXER SPECIFICATION		TANK INFORMATION	
MODEL TYPE	50	DIAMETER (m)	1.84
MODEL No.		SHELL HEIGHT (m)	2.14
POSITION	VERTICAL	TOP	OPEN
KW RATING		BOTTOM	FLAT
OUTPUT SPEED (RPM)	280	BAFFLE WIDTH	
SERVICE FACTOR	2.55	MIN TANK OPENING	350
No. OF UNITS	1	SEALING	NO
MOTOR DETAILS		TYPE	NONE
MOTOR kW	1.1	PRESSURE (kPa/g)	0
MOTOR VOLTAGE	380	TEMPERATURE(C)	25
MOTOR ENCLOSURE	IP55	TANK DESIGN LOADS	
FRAME SIZE	80	MIXER MASS (kg)	25
FRAME MATERIAL	ALUMINIUM	BEND. MOMENT(Nm)	
SPEED	2800	TORQUE (Nm)	
SUPPLIED BY	IRRIQUIP	AXIAL LOAD (N)	
OTHER INFORMATION		TANK CONTENTS	
MIXER		PRODUCT	CHEMICALS
MOTOR		S.G.	1.7
PAINTING	HMMRTONE BLUE	VISCOSITY (mPa.s)	100
PACKING		CONSTRUCTION	
TESTING	SHOP RUN	BASE PLATE	C.S.
IRRIQUIP DETAILS:		COUPLING	NONE
SERIAL NUMBER		SHAFT	NONE
		IMPELLERS	SUS 316
		SHAFT COATING	NONE
		IMPELLER COATING	NONE

IMPELLER DETAILS		
IMPELLER TYPE	LOWER	MIDDLE
IMPELLER BLADES	PAT20	NONE
HUB	WELDED	NONE
STABILISERS	BOLTED	NONE
	NO	UPPER

CLIENT DETAILS:

ORDER NUMBER _____
TAG NUMBER _____



I-Feeder Technologies (UK) Ltd

A	B	NOT TO SCALE	CLIENT APPROVAL	CLIENT:
----------	----------	---------------------	------------------------	----------------

DRAWN	J VAN ZYL	APPROVED		TITLE: CHEMICAL TANK AGITATOR
CHECKED		POSITION		DRG NO: 16E6358/01
DATE	12/02/2017	DATE		